

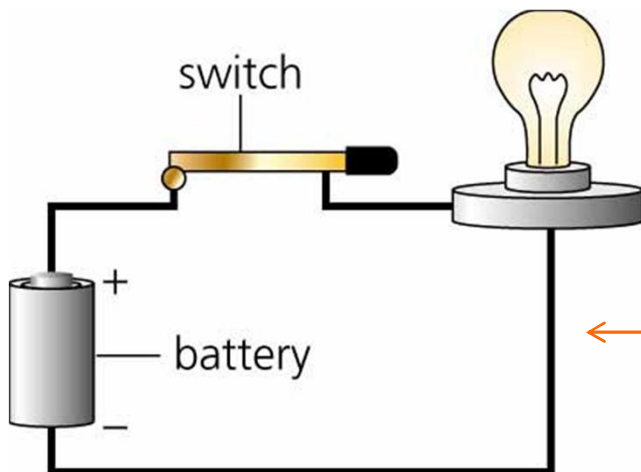
WHAT IS A CIRCUIT?

THINK OF A CIRCUIT LIKE A PATH OF ELECTRICITY.

OPEN CIRCUITS IS WHEN THE ELECTRICITY IS INTERRUPTED BY SOMETHING, SUCH AS A SWITCH OR A DISCONNECTION.



SWITCH : AN ON & OFF BUTTON.



← THIS IS A OPEN CIRCUIT. IT HAS A SWITCH.

Academy Artworks

CLOSED CIRCUIT IS WHEN THE ELECTRICITY ISN'T INTERRUPTED AT ALL, MEANING NO SWITCHES.

